

## XJP60D

Probes and alarms data acquisition module, without display, able to read up to 9 different inputs



- For collecting data from any kind of installation
- Up to 6 inputs for NTC, PTC, 4÷20mA and 0÷10V and 3 digital inputs or 4 Pt100 inputs and 4 digital inputs
- Remote display option
- Standard communication protocol ModBUS-RTU
- 6VA max power absorption



D: 4 DIN Rail mounting

© DIXELL Israel  
 Mekor Chaim 35, POB 4360  
 Jerusalem 91042 - Israel  
 Tel: +972(0)2.679.94.79  
 Fax: +972(0)2.679.94.78  
 www.dixell.co.il

### Features

Power supply	24, 110, 230Vac
--------------	-----------------

### Inputs

Analogue	6* x NTC/PTC/4÷20mA/0÷10V
Digital inputs (power supply voltage)	3
Digital inputs (free of voltage contacts)	3*

### Other Outputs

Hot Key/Prog Tool Kit output	present
Remote display output	X-REP
Remote keyboard output	KB1-PRG
Serial output	RS485

### Other

Serial address	6
----------------	---

### Measurement

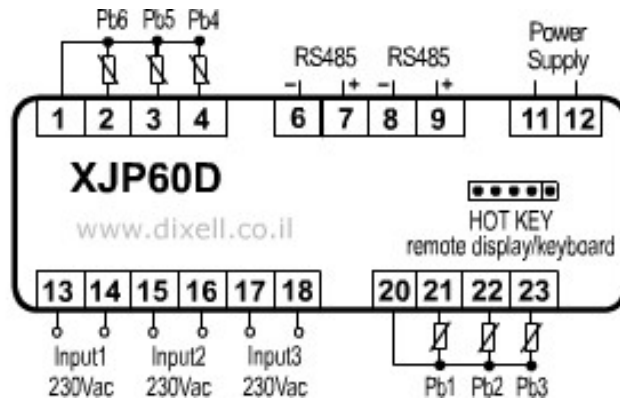
Measurement range	probe dependent
Accuracy	Better than 1% of full scale

### Generals

Housing	Self extinguishing ABS
Data Storage	EEPROM memory
Operating temperature	0°÷60°C 32°÷140°F
Storage temperature	-30°÷85°C 22°÷185°F
Relative humidity	20÷85%
Resolution	0.1°C or 1°F
Connection	Screw-terminal block <2.5mm

\* XJP60D has 3 analogue inputs that are configurable as free of voltage digital inputs

Accessories:  
 programming keyboard KB1-PRG  
 cable CAB/KB11



30.03.2017

The continuous improvement of Dixell's products can cause some variations in the information included in this catalogue even without notice.